

USAGE INSTRUCTIONS

1. Visually inspect the sprayer and ensure that it is in good working order.
2. Remove the pump assembly from the tank by turning it counterclockwise.
3. To minimize foaming and chemical splashback when preparing a cleaning solution dilution, add water to the tank BEFORE adding HVAC Guys Coil Cleaner. Fill the tank to the desired level. Do not fill higher than the MAX mark (1.5L) on the side of the tank.
4. Close the tank by inserting the pump assembly through the opening. Tighten the cap clockwise until the pump is sealed tightly onto the tank (hand-tighten only).
5. Pump the plunger to compress air and create pressure in the tank. When the tank is full (MAX mark), 15 strokes will provide a good working pressure. As pressure drops during use, recharge with 6-10 or more pump strokes. More strokes will be needed if the tank is not full. Note that excessive pressure can result in unwanted spray drift.
6. The nozzle tip may be adjusted to provide a single needle stream spray (tip screwed all the way out) or a fine mist (tip screwed all the way in). The needle stream spray can be used on multi-layered coils for deeper penetration. The mist spray is better for cleaning permanent filters.
7. Allow the cleaning solution to remain in contact with dirty surfaces for about 5-15 minutes while remaining wet, then flush with water from a hose. If a hose is not available, fill the sprayer with water and flush using a coarse spray. Continue flushing the coil with clean water until all of the cleaning chemical has been removed.

RINSE THE SPRAYER THOROUGHLY WITH CLEAN WATER AFTER EACH USE! Failure to rinse the sprayer after each use can significantly lower the service life of the sprayer.

IMPORTANT INFORMATION

For best performance and durability, please follow these instructions:

1. Do not leave the sprayer pressurized for extended periods of time.
2. Do not expose the sprayer to direct sunlight or allow it to freeze. Recommended operating temperature is between 41°F and 86°F (5°C to 30°C).
3. Occasionally lubricate the spray nozzle washers and O-rings (see Spare Parts Service Kit diagram) with petroleum jelly (vaseline).
4. This pressure sprayer is designed for use with water-diluted coil cleaners, detergents, insecticides, herbicides, fertilizers, preservatives, glass, and car cleaners. If using special products (e.g., oil by-products or solvent mixtures), ensure they are compatible with the materials used in the pump and won't cause damage. Do NOT use with Hydrofluoric Acid (HF Acid).
5. Do not remove the pump assembly from the tank while it is still pressurized.
6. After continuous spraying, release the trigger to the "Neutral" position.



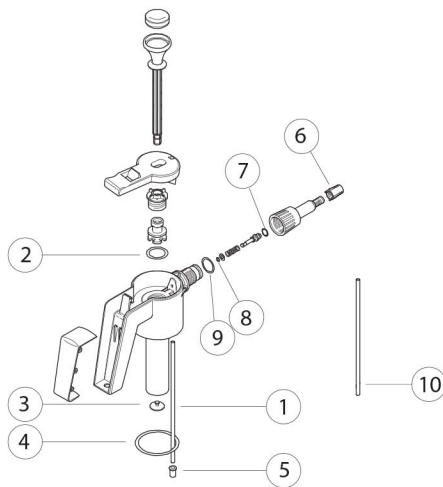
If for any reason you are not **100% SATISFIED** with your purchase, please reach out to us at:

info@hvacguysproducts.com

or

+1-888-675-6088

and we will make it right!



Spare Parts Service Parts (Sold Separately)

- 1. Spare 360 Dip Tube
- 10. Spare Rigid Dip Tube

Service Kit: HS-DS15L-PARTS (Sold as Kit)

- 2. O-Ring 22 x 3
- 3. One-Way Valve
- 4. O-Ring 49.21 x 3.53
- 5. Filter
- 6. Nozzle
- 7. O-Ring 6.75 x 1.78
- 8. O-Ring 1.78 x 4.47
- 9. O-Ring 16 x 3



Professional HVAC Products LLC
 1309 Coffeen Ave., Suite 1200
 Sheridan, Wyoming 82801
 Phone: +1-888-675-6088
 Email: info@hvacguysproducts.com
 www.hvacguysproducts.com

Also Available from HVAC Guys



Visit us at www.hvacguysproducts.com and www.leaksavers.com