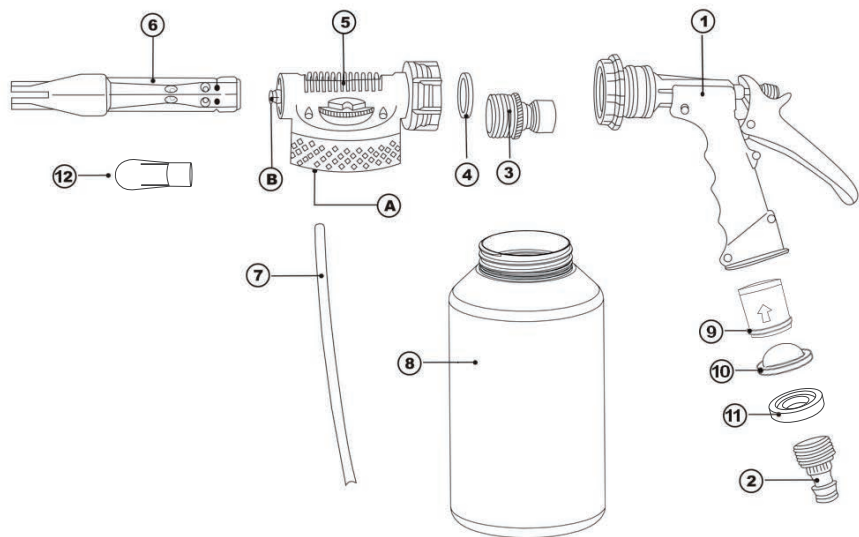
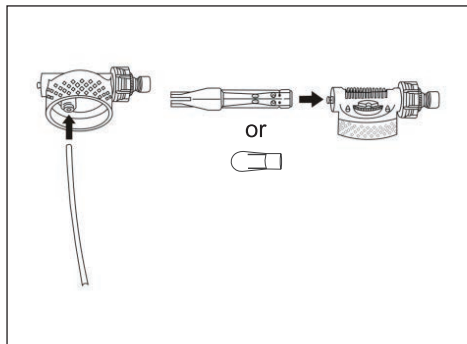


Coil Cannon Parts Diagram

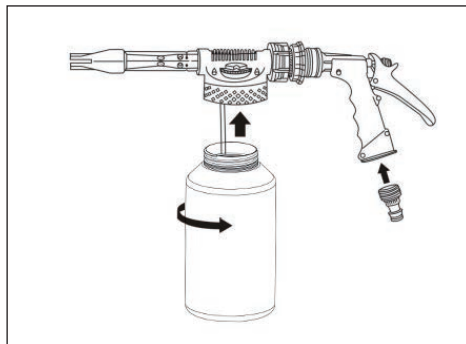


- | | |
|--|--|
| 1) Quick Connect Gun | 6) Foaming Tip |
| 2) Male Quick Connect for Hose | 7) Chemical Siphon Tube |
| 3) Male Mixing Sprayer Quick Connector | 8) Bottle |
| 4) O-Ring | 9) Anti-Siphon Fitting (installed in handle) |
| 5) Mixing Head | 10) Strainer |
| A) Siphon Tube Connector | 11) O-ring |
| B) Foam Tip Connector | 12) Fan tip |

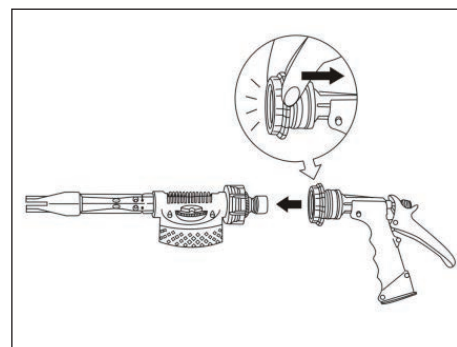
Assembly



1. Connect chemical siphon tube to the siphon tube connector on the mixing head.
2. (Optional) Connect the foaming tip to the foam tip connector.



3. If required for your hose, thread the male quick connect fitting onto the quick connect gun handle.
4. Thread the bottle onto the mixing head.



5. Connect the quick connect gun to the quick connect fitting on the mixing head.

Instructions

1. Remove the quick connect gun from the chemical mixer. Connect it to the water supply hose. If required, use the male hose quick connection fitting. If not required, ensure that the anti siphon fitting and strainer are installed. A water pressure of 40-60 psi is acceptable. Test function. **NOTE:** The Coil Cannon has been supplied with an anti-siphon adapter to protect the water supply from accidental chemical contamination. Please always ensure that this adapter is installed.
2. Fill the bottle with your favorite coil cleaning chemical and thread it back onto the mixing head. **CAUTION:** Please keep the bottle upright at all times to prevent chemical spillage. Follow all precautions and procedures as stated on the bottle of the respective chemical manufacturer. **DO NOT** use hydrofluoric acid (HF) coil cleaners.
3. Rotate the dial to the desired mixing ratio.
4. Reconnect the gun to the chemical mixer. Point the Coil Cannon at the coil and fully depress the sprayer gun lever to dispense the chemical and water mix. The sprayer gun lever must be FULLY engaged to achieve an accurate mixing ratio.
5. Optional: Attach the foaming tip to increase foaming action.
6. Disconnect the spray gun from the chemical mixer to rinse with clean water.
7. **IMPORTANT MAINTENANCE:** After each use, you must rinse the bottle, refill with clean water, and spray for several minutes to clear out the orifice and mixing chamber. Failure to clean the the Coil Cannon may cause build up of dry chemical, affect performance, or cause premature failure.

Warnings

- Please read all instructions and warnings before use. Failure to follow all safety instructions and warnings could result in property damage, serious bodily harm, or death.
- Always wear eye protection, gloves, ventilator, and proper personal protection equipment for the handling of chemicals.
- Only use the Coil Cannon outdoors in open and well ventilated areas.
- Only use with a water pressure up to a maximum of 60 PSI (4 BAR)
- Do not use with hydrofluoric acid (HF) coil cleaners.
- Do not use on a windy day, as drift may cause personal injury or property damage.
- Do not spray people or animals. Injury may result.
- Do not spray on or near electrical parts or outlets. Electric shock hazard.
- Do not use with water above 100°F (38°C)
- Do not use without the anti-siphon adapter.



If for any reason you are not **100% SATISFIED** with your purchase, please reach out to us at:

info@hvacguysproducts.com
or
+1-888-675-6088

and we will make it right!



COIL CANNON

Automatic Chemical Mixing Sprayer

Also Available from HVAC Guys



Visit us at www.hvacguysproducts.com and www.leaksavers.com

! WARNING: This product can expose you to chemicals including lead, which is known to the state of California to cause cancer and birth defects or other reproductive harm. For more information, go to www.P65Warnings.ca.gov.

Professional HVAC Products LLC
1309 Coffeen Ave., Suite 1200
Sheridan, Wyoming 82801
Phone: +1-888-675-6088
Email: info@hvacguysproducts.com
www.hvacguysproducts.com

